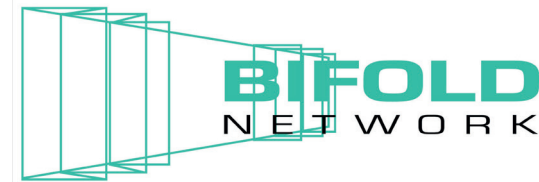
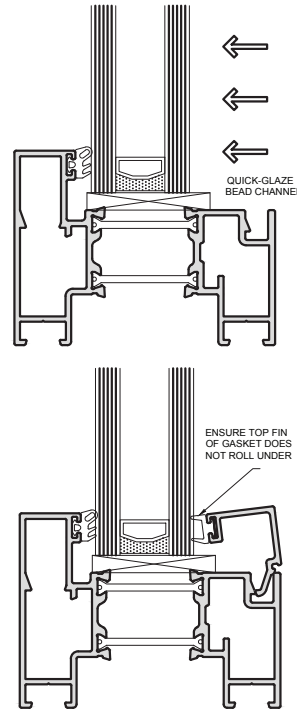


Using a glazing shovel and glazing packers (not Supplied) firmly pack the glass tight to create a diagonal force. Over tightening the glass will result in the glass unit shattering and not tight enough could result in the doors not working properly so care is need at this point.

Quick-glaze bead installation

1. Install glass unit, ensuring it has been pushed forward to engage compression of the gasket.
2. Beginning with horizontal beads, locate bead in clip channel of sash as shown. Integrated gasket may rest against glass unit.
3. Apply firm pressure to the bead to hold in position. This may cause the bead to fully lock into position.
4. Using a nylon mallet, tap bead into channel working from one end to the other. Please take care at this stage to avoid damage to both the glazing unit and the bead.
5. Repeat steps 2 - 4 to install vertical beads.



BI-FOLDING DOORS INSTALLATION GUIDE



Step 4

Once the glass is fitted, you will now need to fit the locking screws into the middle hole of all the hinges and rollers. Each hinge will require 2 screws, 1 per side to lock off any further vertical movement.



Adjustment 5mm

Hinge Adjustment

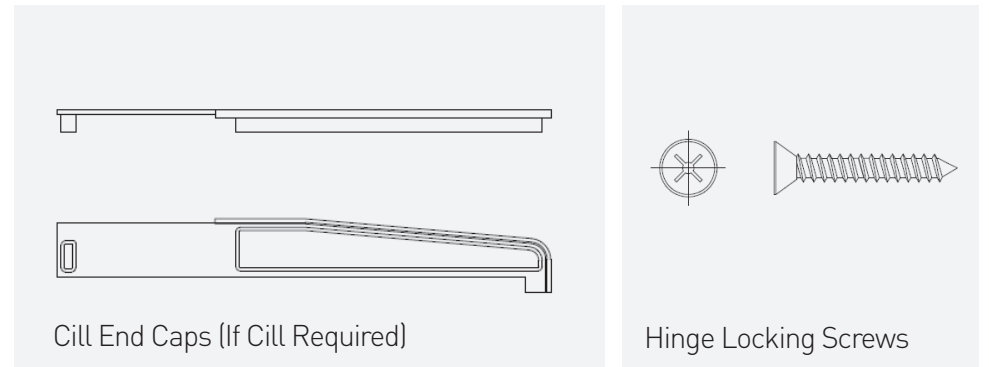
Our bifolding doors have vertical adjustment on the bottom rollers. The adjustment should be used for minor adjustments. Using a 6mm allen key clock wise will move the doors down and anti-clock wise will move the doors up. The location of the adjustment is shown.



The Bifold Network
Cuthbert Bank Road, Sheffield, South Yorkshire, S6 2HP

Tel: 01142 313 133

Box Contents



Cill End Caps (If Cill Required)

Hinge Locking Screws

Step 1

Seal the End caps onto the cill using silicone

Install the cill into the opening making sure to bed the cill onto a silicone seal

Screw the cill in place making sure to silicone seal the screw to create a seal

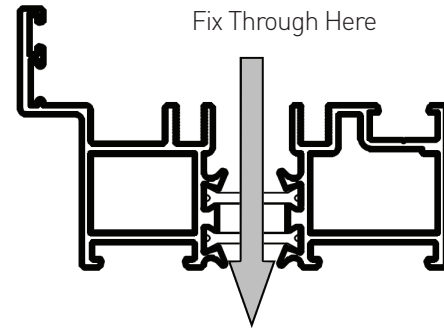
Silicone seal around the cill where it meets the brickwork and along the back edge to prevent water ingress

Step 2

Position the Bifold on top of the cill

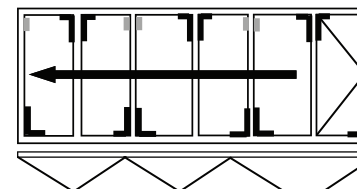
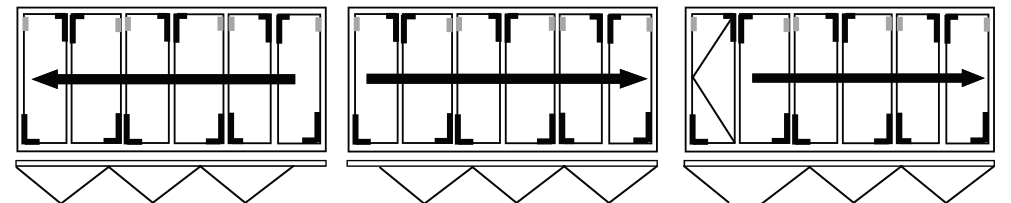
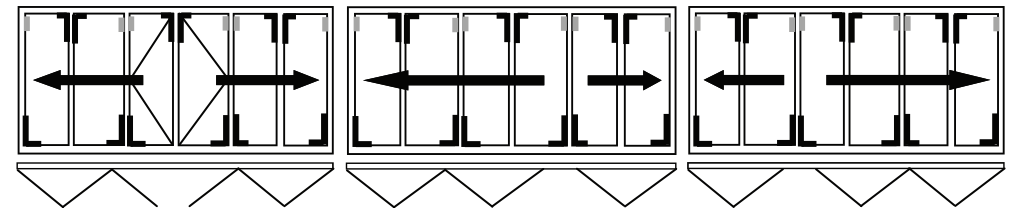
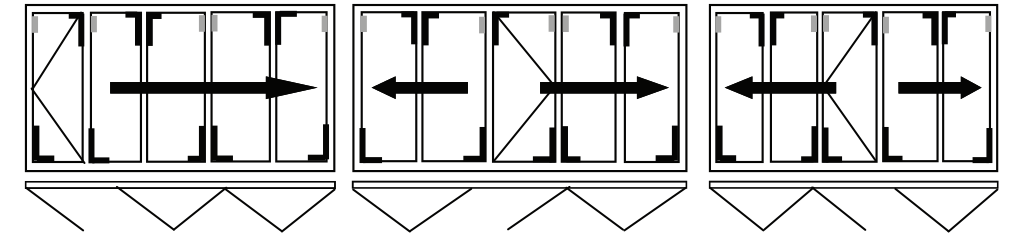
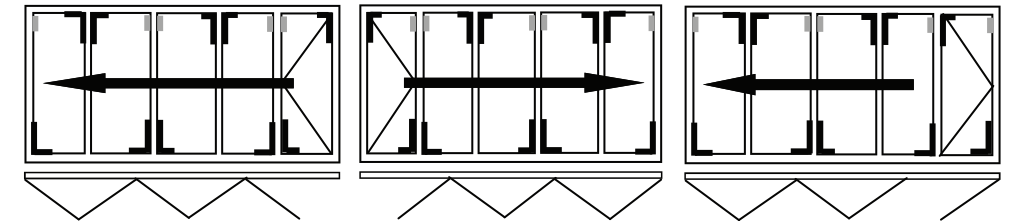
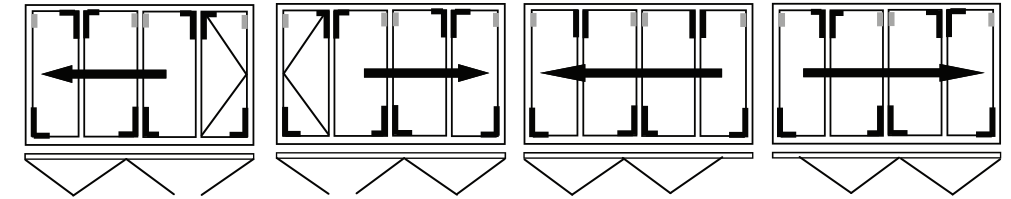
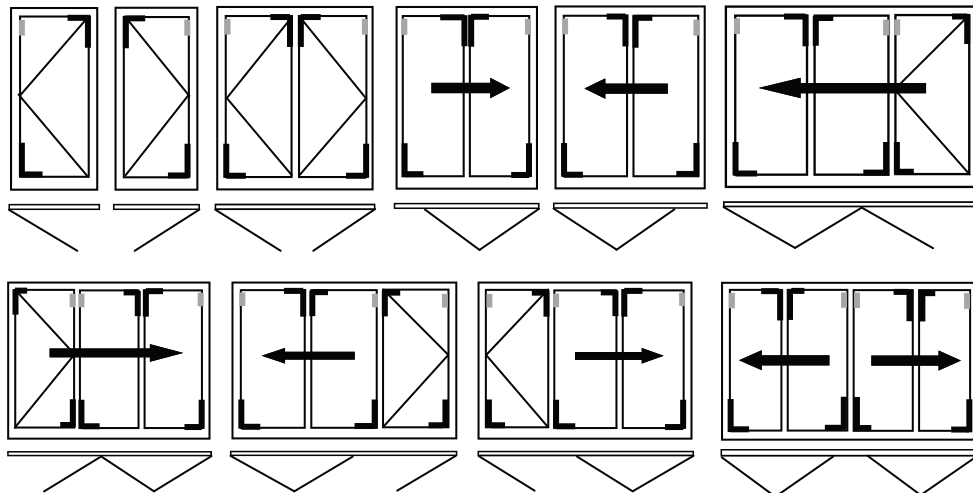
Secure the frame in place using packers making sure the frame is square, level and plumb. Use packers to help line the door frame up.

Secure the frame to the wall using fixings making sure it is screwed on all 4 sides.



Step 3

Once the frame is fully secured to the wall. The next step will be to install the glass into the doors. Remove the glazing beads and fit packers to the locations shown on your bifold configuration.



┌ Location to pack the glass

┆ Fixing Packer